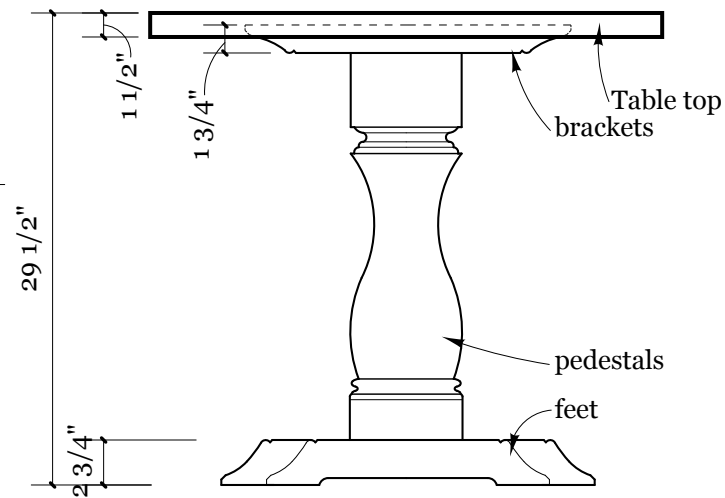
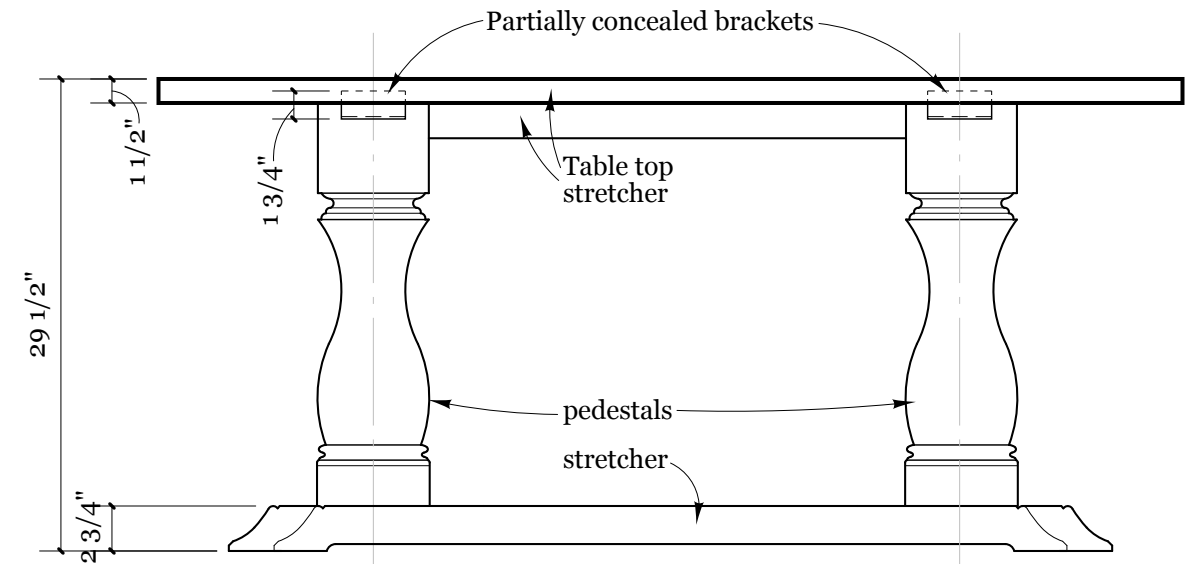


details
scale: 1" = 3'-0"

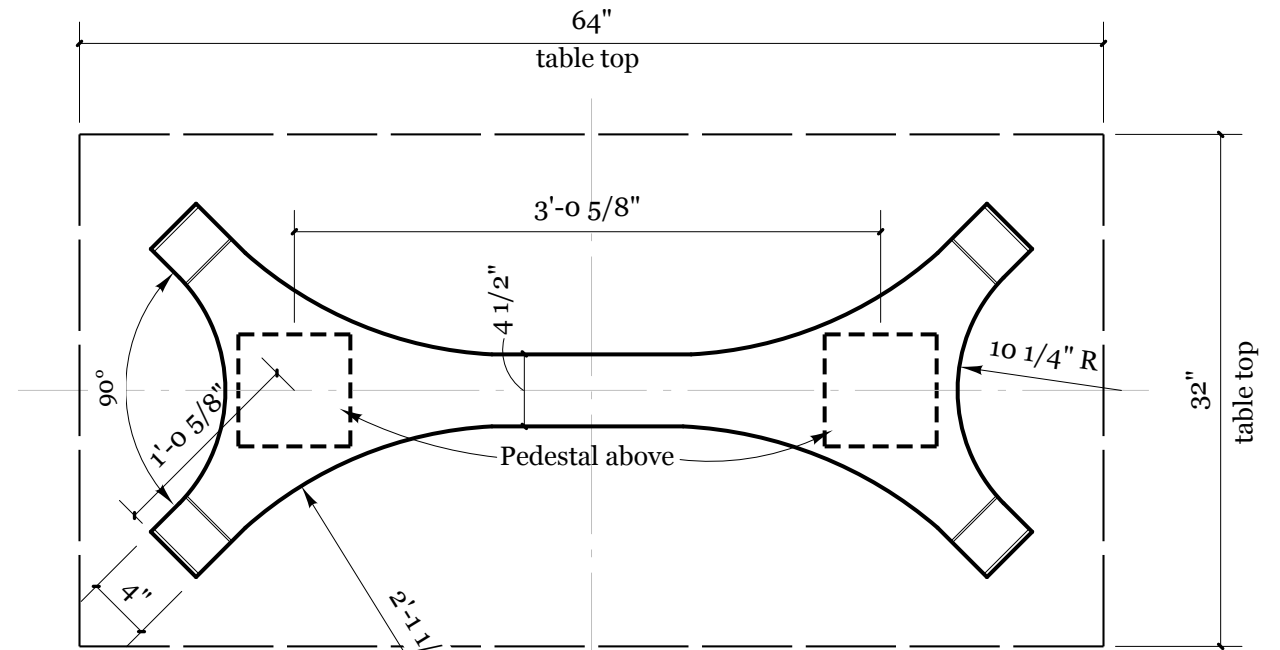
NOTE:
These pedestals are square NOT round. The curves are shown in profile and would need to be bandsawn cut NOT turned.



Elevation - end
scale: 1" = 1'-0"



Elevation - side
scale: 1" = 1'-0"



stretcher plan
scale: 1" = 1'-0"